

Circuit Interruption Technology

829



SPECIFICATIONS

Electrical Ratings	3A @ 125VAC
Electrical Life	> 5,000 cycles typical (insertion / extraction = 1 cycle)
Contact Resistance	< 25mΩ initial
Dielectric Strength	1000Vrms min @ sea level
Insulation Resistance	> 100MΩ min
Operating Temperature	-40°C to +85°C
Insertion Force	10/20N
Extraction Force	10/20N

MATERIALS

Jack Housing	Nylon, Black, UL94V-0
Hex Nut	Nylon, Black, UL94V-0
Contacts / Terminals	Phosphor Bronze, Silver plate over Nickel plate

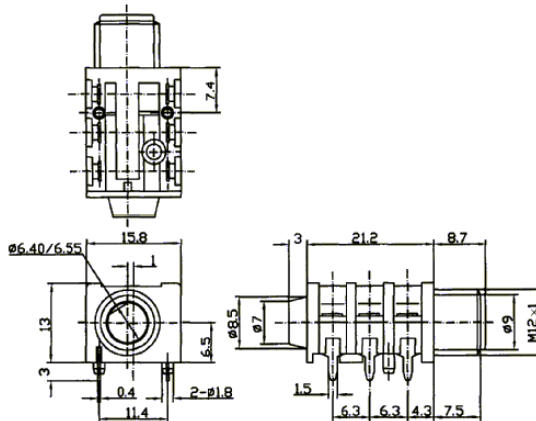
ORDERING INFORMATION

1. Series:	829	B
829		
2. Contact Type:		
A = Full Threaded Nose		
B = Half Threaded Nose		

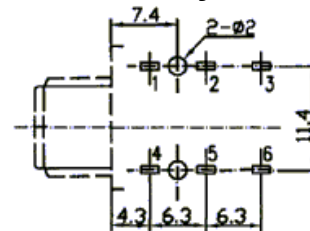
DIMENSIONS



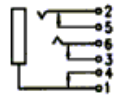
829A



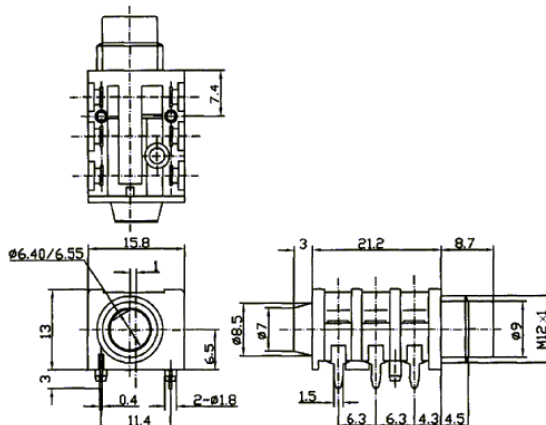
PCB Layout



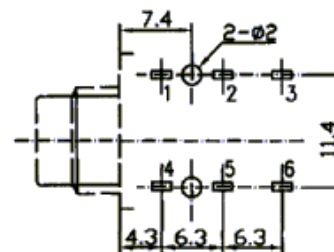
Schematic



829B



PCB Layout



Schematic

